



Leading the Industry in  
Solar Microinverter Technology

# YC1000-3

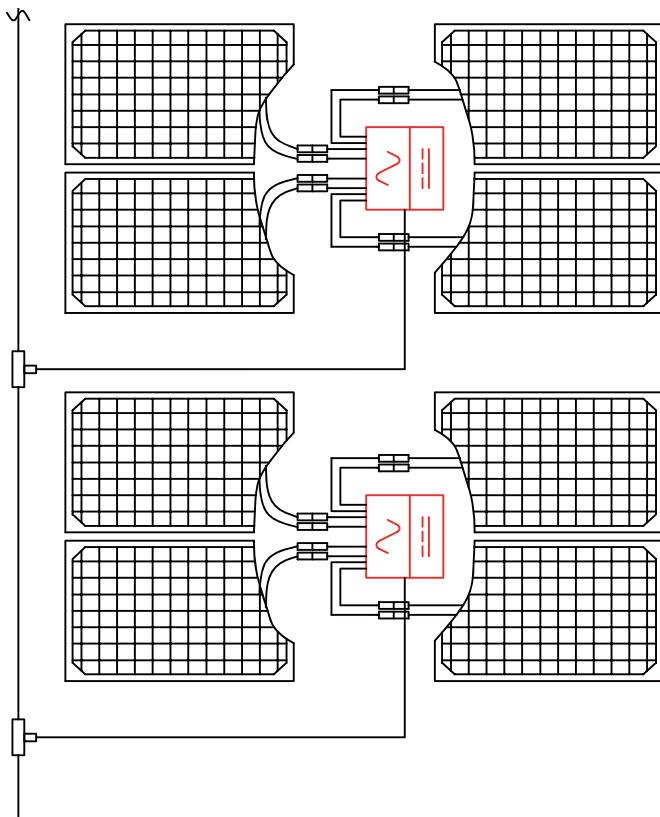
## Commercial Microinverter

- Single unit connects up to four modules
- 900W AC output
- True 3-phase output (phase-balanced & phase-monitored)
- 120Y/208V, 277Y/480V
- ZigBee wireless communication and monitoring
- Up to 44 solar modules (60 or 72-cell) can be linked in a single 15A circuit\*

\*Please see YC1000 user manual on specifics for 208 VAC and 277/480 VAC.

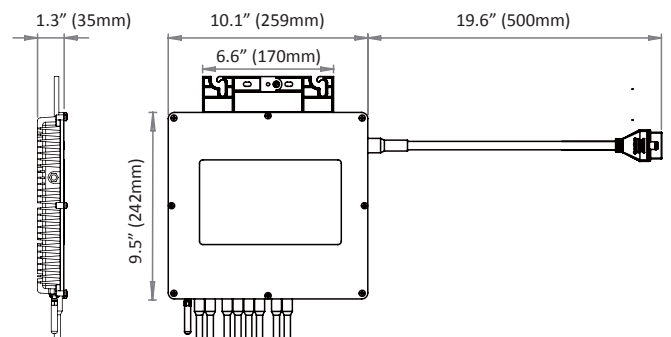
## World's first true 3-phase microinverter - only from APsystems

### WIRING SCHEMATIC



The YC1000 is the industry's first true 3-phase (no phase balancing) solar microinverter, handling commercial grid voltages of 208, 277Y/480 with 900 watts maximum output, ZigBee communication and an integrated ground. Each YC1000 supports up to 4 solar modules.

### DIMENSIONS



# APsystems YC1000-3 Microinverter Datasheet

## INPUT DATA (DC)

MPPT Voltage Range	16-55V
Maximum Input Voltage	60V
Maximum Input Current	14.8A x 4
Startup Voltage	22V

## OUTPUT DATA (AC)

	<b>277Y/480V</b>	<b>120Y/208V</b>
Maximum Output Power	900W	900W
3-Phase Grid Type	277Y/480V	120Y/208V
Nominal Output Current	1.08Ax3	2.50Ax3
Nominal Output Voltage	277Yx3	120Yx3
Nominal Output Frequency	60Hz /59.3-60.5Hz*	60Hz /59.3-60.5Hz*
Power Factor	>0.99	>0.99
Total Harmonic Distortion	<3%	<3%
Maximum Units per Branch	11 for 15Ax3 Breaker	4 for 15Ax3 Breaker

## EFFICIENCY

Peak efficiency	95%
CEC Weighted Efficiency	94.5%
Nominal MPPT efficiency	99.9%

## MECHANICAL DATA

Operating Ambient temperature range	-40°F to +149°F (-40°C to +65°C)
Storage Temperature Range	-40°F to +185°F (-40°C to +85°C)
Dimensions (W x H x D) inches	10.2" X 9.5" X 1.4"
Dimensions (W x H x D) mm	259mm X 242mm X 36mm
Weight	8.4lbs (3.8kg)
Enclosure rating	277Y/480V: NEMA 6   120Y/208V: NEMA 6
Cooling	Natural Convection - No Fans

## FEATURES

Communication	ZigBee (wireless)
Integrated Ground Fault Protection (GFP)	The DC circuit meets the requirements for ungrounded PV arrays in NEC690.35. No additional ground is required. Ground fault protection (GFP) is integrated into microinverter.
Emissions & Immunity (EMC) Compliance	FCC Part15; ANSI C63.4; ICES-003
Safety Class Compliance	UL1741xCSA C22.2 No.107.1-01
Grid Connection Compliance	IEEE1547
Warranty	10 years standard, extendable to 25 years

\* Programmable per customer and utility requirements. All settings UL approved  
Specifications subject to change without notice - please ensure you are using the most recent update found at [www.APsystems.com](http://www.APsystems.com)

6.20.16 © All Rights Reserved